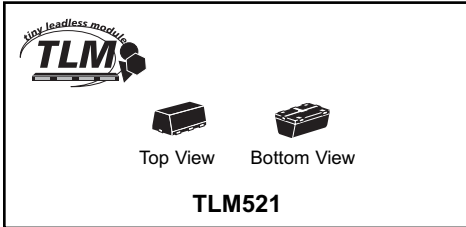


**CTLT3410-M521 (NPN)  
CTLT7410-M521 (PNP)  
SURFACE MOUNT  
COMPLEMENTARY SILICON  
LOW  $V_{CE(SAT)}$  TRANSISTORS**



**CTLT3410-M521 (NPN) Marking Code: CB**  
**CTLT7410-M521 (PNP) Marking Code: CD**

**MAXIMUM RATINGS:** ( $T_A=25^\circ\text{C}$ )

|   | SYMBOL         |             | UNITS                |
|---|----------------|-------------|----------------------|
| Collector-Base Voltage                        | $V_{CB0}$      | 40          | V                    |
| Collector-Emitter Voltage                     | $V_{CEO}$      | 25          | V                    |
| Emitter-Base Voltage                          | $V_{EBO}$      | 6.0         | V                    |
| Collector Current                             | $I_C$          | 1.0         | A                    |
| Collector Current (Peak)                      | $I_{CM}$       | 1.5         | A                    |
| Power Dissipation                             | $P_D$          | 0.9         | W *                  |
| Operating and Storage<br>Junction Temperature | $T_J, T_{stg}$ | -65 to +150 | $^\circ\text{C}$     |
| Thermal Resistance                            | $\Theta_{JA}$  | 139         | $^\circ\text{C/W} *$ |

**ELECTRICAL CHARACTERISTICS:** ( $T_A=25^\circ\text{C}$  unless otherwise noted)

| SYMBOL        | TEST CONDITIONS                        | TYP |     |     | UNITS  |
|---------------|--|-----|-----|-----|--------|
|               |  | MIN | NPN | PNP |        |
| $I_{CBO}$     | $V_{CB}=40\text{V}$                    |     |     |     | 100 nA |
| $I_{EBO}$     | $V_{EB}=6.0\text{V}$                   |     |     |     | 100 nA |
| $BV_{CB0}$    | $I_C=100\mu\text{A}$                   | 40  |     |     | V      |
| $BV_{CEO}$    | $I_C=10\text{mA}$                      | 25  |     |     | V      |
| $BV_{EBO}$    | $I_E=100\mu\text{A}$                   | 6.0 |     |     | V      |
| $V_{CE(SAT)}$ | $I_C=50\text{mA}, I_B=5.0\text{mA}$    |     | 20  | 25  | 50 mV  |
| $V_{CE(SAT)}$ | $I_C=100\text{mA}, I_B=10\text{mA}$    |     | 35  | 40  | 75 mV  |
| $V_{CE(SAT)}$ | $I_C=200\text{mA}, I_B=20\text{mA}$    |     | 75  | 80  | 150 mV |
| $V_{CE(SAT)}$ | $I_C=500\text{mA}, I_B=50\text{mA}$    |     | 130 | 150 | 250 mV |
| $V_{CE(SAT)}$ | $I_C=800\text{mA}, I_B=80\text{mA}$    |     | 200 | 220 | 400 mV |
| $V_{CE(SAT)}$ | $I_C=1.0\text{A}, I_B=100\text{mA}$    |     | 250 | 275 | 450 mV |
| $V_{BE(SAT)}$ | $I_C=800\text{mA}, I_B=80\text{mA}$    |     |     |     | 1.1 V  |
| $V_{BE(ON)}$  | $V_{CE}=1.0\text{V}, I_C=10\text{mA}$  |     |     |     | 0.9 V  |
| $h_{FE}$      | $V_{CE}=1.0\text{V}, I_C=10\text{mA}$  | 100 |     |     |        |
| $h_{FE}$      | $V_{CE}=1.0\text{V}, I_C=100\text{mA}$ | 100 |     |     | 300    |
| $h_{FE}$      | $V_{CE}=1.0\text{V}, I_C=500\text{mA}$ | 100 |     |     |        |
| $h_{FE}$      | $V_{CE}=1.0\text{V}, I_C=1.0\text{A}$  | 50  |     |     |        |

\* FR-4 Epoxy PCB with copper mounting pad area of  $33\text{mm}^2$

continued on next page

# Central<sup>TM</sup>

## Semiconductor Corp.

**DESCRIPTION:**

The CENTRAL SEMICONDUCTOR CTLT3410-M521 and CTLT7410-M521 are Low  $V_{CE(SAT)}$  transistors in a very small leadless 1x2mm surface mount package, designed for applications where small size, operational efficiency, and low energy consumption are prime requirements. Due to the leadless package design these devices are capable of dissipating up to 3 times the power of similar devices in comparable sized surface mount packages.

**FEATURES:**

- High Operational Efficiency
- High Power to Footprint Ratio
- $V_{CE(SAT)}$  @ 1.0A = 250mV (Typ)
- High Collector Current
- Small TLM 1x2mm case

**APPLICATIONS:**

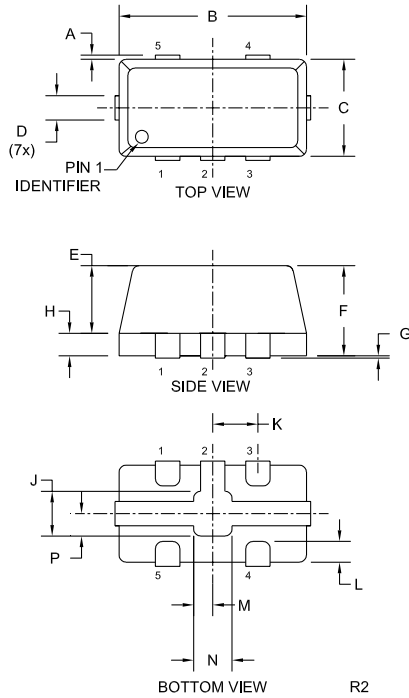
- DC/DC Converters
- Switching Circuits
- LCD Backlighting
- Battery Powered Portable Equipment

R1 (27-April 2006)

**ELECTRICAL CHARACTERISTICS:** ( $T_A=25^\circ\text{C}$  unless otherwise noted)

| SYMBOL   | TEST CONDITIONS   | MIN | TYP | MAX | UNITS |
|----------|---|-----|-----|-----|-------|
| $f_T$    | $V_{CE}=10\text{V}$ , $I_C=50\text{mA}$ , $f=100\text{MHz}$       | 100 |     |     | MHz   |
| $C_{ob}$ | $V_{CB}=10\text{V}$ , $I_E=0$ , $f=1.0\text{MHz}$ (CTLT3410-M521) |     |     | 10  | pF    |
| $C_{ob}$ | $V_{CB}=10\text{V}$ , $I_E=0$ , $f=1.0\text{MHz}$ (CTLT7410-M521) |     |     | 15  | pF    |

### TLM521 CASE - MECHANICAL OUTLINE



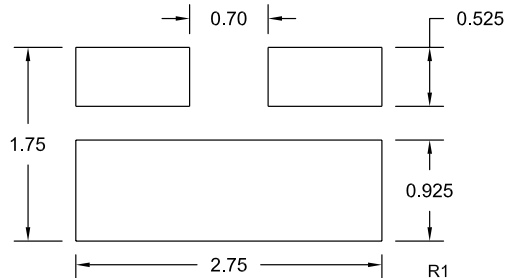
| SYMBOL | DIMENSIONS |       |             |       |
|--------|------------|-------|-------------|-------|
|        | INCHES     |       | MILLIMETERS |       |
|        | MIN        | MAX   | MIN         | MAX   |
| A      | —          | 0.005 | —           | 0.125 |
| B      | 0.075      | 0.083 | 1.900       | 2.100 |
| C      | 0.035      | 0.043 | 0.900       | 1.100 |
| D      | 0.007      | 0.012 | 0.170       | 0.300 |
| E      | 0.026      | 0.030 | 0.650       | 0.750 |
| F      | 0.031      | 0.039 | 0.800       | 1.000 |
| G      | 0.000      | 0.002 | 0.000       | 0.050 |
| H      | 0.006      | 0.010 | 0.150       | 0.250 |
| J      | 0.013      | 0.021 | 0.330       | 0.530 |
| K      | —          | 0.020 | —           | 0.500 |
| L      | 0.004      | 0.014 | 0.100       | 0.350 |
| M      | 0.002      | 0.010 | 0.060       | 0.260 |
| N      | 0.009      | 0.017 | 0.220       | 0.420 |
| P      | 0.005      | 0.013 | 0.120       | 0.320 |

TLM521 (REV: R2)

### LEAD CODE:

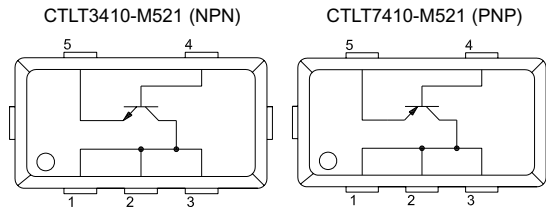
- 1) COLLECTOR
- 2) COLLECTOR
- 3) COLLECTOR
- 4) BASE
- 5) EMITTER

Suggested mounting pad layout  
for maximum power dissipation  
(Dimensions in mm)



For standard mounting refer  
to TLM521 Package Details

### PIN CONFIGURATION



CTLT3410-M521 (NPN) Marking Code: CB  
CTLT7410-M521 (PNP) Marking Code: CD

R1 (27-April 2006)

## OUTSTANDING SUPPORT AND SUPERIOR SERVICES



---

### PRODUCT SUPPORT

Central's operations team provides the highest level of support to insure product is delivered on-time.

- Supply management (Customer portals)
- Inventory bonding
- Consolidated shipping options
- Custom bar coding for shipments
- Custom product packing

---

### DESIGNER SUPPORT/SERVICES

Central's applications engineering team is ready to discuss your design challenges. Just ask.

- Free quick ship samples (2<sup>nd</sup> day air)
- Online technical data and parametric search
- SPICE models
- Custom electrical curves
- Environmental regulation compliance
- Customer specific screening
- Up-screening capabilities
- Special wafer diffusions
- PbSn plating options
- Package details
- Application notes
- Application and design sample kits
- Custom product and package development

---

### REQUESTING PRODUCT PLATING

1. If requesting Tin/Lead plated devices, add the suffix "TIN/LEAD" to the part number when ordering (example: 2N2222A TIN/LEAD).
2. If requesting Lead (Pb) Free plated devices, add the suffix "PBFREE" to the part number when ordering (example: 2N2222A PBFREE).

---

### CONTACT US

#### Corporate Headquarters & Customer Support Team

Central Semiconductor Corp.  
145 Adams Avenue  
Hauppauge, NY 11788 USA  
Main Tel: (631) 435-1110  
Main Fax: (631) 435-1824  
Support Team Fax: (631) 435-3388  
[www.centrasemi.com](http://www.centrasemi.com)

**Worldwide Field Representatives:**  
[www.centrasemi.com/wwreps](http://www.centrasemi.com/wwreps)

**Worldwide Distributors:**  
[www.centrasemi.com/wwdistributors](http://www.centrasemi.com/wwdistributors)

---

For the latest version of Central Semiconductor's **LIMITATIONS AND DAMAGES DISCLAIMER**, which is part of Central's Standard Terms and Conditions of sale, visit: [www.centrasemi.com/terms](http://www.centrasemi.com/terms)

# Product End of Life Notification

|                    |                  |
|--------------------|------------------|
| PDN ID:            | PDN01000 Rev:001 |
| Notification Date: | 2/08/21          |
| Last Buy Date:     | Varies           |
| Last Shipment Date | Varies           |

Summary: The devices listed below were previously discontinued on or before August 3, 2015. Rev:001 of PDN#01000: February 5, 2021, is being issued to remove part numbers CMPTA42 and CMPTA92 from the PDN to address new market demand; CMPTA42 and CMPTA92 are now active devices.

Although Central Semiconductor Corp. makes every effort to continue to produce devices that have been proclaimed EOL (End of Life) by other manufacturers, it is an accepted industry practice to discontinue certain devices when customer demand falls below a minimum level of sustainability. Accordingly, the following product(s) have been transitioned to End of Life status as part of Central's ongoing Product Management Process. Any replacement products are noted below. The effective date for placing last purchase orders will be six (6) months from the date of this notice and twelve (12) months from the notice date for final shipments, and minimum order quantities may apply. The last purchase and shipment dates may be extended if inventory is available.

**\* All Plating types (PBFREE, TIN/LEAD) for each item listed are included in this notice.**

| <u>Central Part Number</u> | <u>Replacement</u> |
|----------------------------|--------------------|
| CBRSDSH5-40 TR13           | N/A, Stock Only    |
| CBRSDSH5-60 BK             | N/A, Stock Only    |
| CBRSDSH5-60 TR13           | N/A, Stock Only    |
| CCLHM080 BK                | CMJH080 BK         |
| CCLHM080 TR                | CMJH080 TR         |
| CCLHM100 BK                | CMJH100 BK         |
| CCLHM100 TR                | CMJH100 TR         |
| CCLHM120 BK                | CMJH120 BK         |
| CCLHM120 TR                | CMJH120 TR         |
| CCLHM150 BK                | CMJH150 BK         |
| CCLHM150 TR                | CMJH150 TR         |
| CCLM0035 BK                | N/A, Stock Only    |
| CCLM0035 TR                | N/A, Stock Only    |
| CCLM0130 BK                | CMJ0130 BK         |
| CCLM0130 TR                | CMJ0130 TR         |
| CCLM0300 BK                | CMJ0300 BK         |
| CCLM0300 TR                | CMJ0300 TR         |
| CCLM0500 BK                | CMJ0500 BK         |
| CCLM0500 TR                | CMJ0500 TR         |
| CCLM0750 BK                | CMJ0750 BK         |
| CCLM0750 TR                | CMJ0750 TR         |
| CCLM1000 BK                | CMJ1000 BK         |
| CCLM1000 TR                | CMJ1000 TR         |
| CCLM1500 BK                | CMJ1500 BK         |
| CCLM1500 TR                | CMJ1500 TR         |
| CCLM2000 BK                | CMJ2000 BK         |
| CCLM2000 TR                | CMJ2000 TR         |
| CCLM2700 BK                | CMJ2700 BK         |
| CCLM2700 TR                | CMJ2700 TR         |
| CCLM3500 BK                | CMJ3500 BK         |
| CCLM3500 TR                | CMJ3500 TR         |
| CCLM4500 BK                | CMJ4500 BK         |
| CCLM4500 TR                | CMJ4500 TR         |
| CCLM5750 BK                | CMJ5750 BK         |

\*\*\* CONTINUED \*\*\*

DISCLAIMER: This End of Life (EOL) notification is in accordance with JEDEC standard JESD48 - Product Discontinuance. Central Semiconductor Corp. will make every effort to offer life-time buy (LTB) opportunities and/or offer replacement devices to existing customers for discontinued devices, however, one or both may not be possible for all devices. Please contact your local Central Semiconductor sales representative for LTB opportunities/additional information.

# Product End of Life Notification

|                    |                  |
|--------------------|------------------|
| PDN ID:            | PDN01000 Rev:001 |
| Notification Date: | 2/08/21          |
| Last Buy Date:     | Varies           |
| Last Shipment Date | Varies           |

\*\*\* CONTINUED FROM PRIOR PAGE \*\*\*

\* All Plating types (PBFREE,TIN/LEAD) for each item listed are included in this notice.

| <u>Central Part Number</u> | <u>Replacement</u> |
|----------------------------|--------------------|
| CCLM5750 TR                | CMJ5750 TR         |
| CED2838E BK                | N/A, Stock Only    |
| CED2838E TR                | N/A, Stock Only    |
| CLLR1-01 BK                | CMR1-01M BK        |
| CLLR1-01 TR                | CMR1-01M TR13      |
| CLLR1-02 BK                | CMR1-02M BK        |
| CLLR1-02 TR                | CMR1-02M TR13      |
| CLLR1-04 BK                | CMR1-04M BK        |
| CLLR1-04 TR                | CMR1-04M TR13      |
| CLLR1-06 BK                | CMR1-06M BK        |
| CLLR1-06 TR                | CMR1-06M TR13      |
| CLLR1-06 TR13              | CMR1-06M TR13      |
| CLLR1-10 BK                | CMR1-10M BK        |
| CLLR1-10 TR                | CMR1-10M TR13      |
| CLLR1-10 TR13              | CMR1-10M TR13      |
| CLLR1F-02 BK               | CMR1F-02M BK       |
| CLLR1F-02 TR               | CMR1F-02M TR13     |
| CLLR1F-06 BK               | CMR1F-06M BK       |
| CLLR1F-06 TR               | CMR1F-06M TR13     |
| CLLR1F-10 BK               | CMR1F-10M BK       |
| CLLR1F-10 TR               | CMR1F-10M TR13     |
| CLLR1U-01 BK               | CMR1U-01M BK       |
| CLLR1U-01 TR               | CMR1U-01M TR13     |
| CLLR1U-02 BK               | CMR1U-02M BK       |
| CLLR1U-02 TR               | CMR1U-02M TR13     |
| CLLR1U-04 BK               | CMR1U-04M BK       |
| CLLR1U-04 TR               | CMR1U-04M TR13     |
| CLLSH1-20 BK               | CMSH1-20M BK       |
| CLLSH1-20 TR               | CMSH1-20M TR13     |
| CLLSH1-20 TR13             | N/A, Stock Only    |
| CLLSH1-40 BK               | CMSH1-40M BK       |
| CLLSH1-40 TR               | CMSH1-40M TR13     |
| CLLSH1-60 BK               | CMSH1-60M BK       |
| CLLSH1-60 TR               | CMSH1-60M TR13     |
| CLL4104 BK                 | CMHZ4104 BK        |
| CLL4104 TR                 | CMHZ4104 TR        |
| CLL4116 BK                 | CMHZ4116 BK        |
| CLL4116 TR                 | CMHZ4116 TR        |
| CLL4122 TR                 | CMHZ4122 TR        |
| CLL457A BK                 | CMHD457A BK        |
| CLL457A TR                 | CMHD457A TR        |
| CLL459A BK                 | CMHD459A BK        |
| CLL459A TR                 | CMHD459A TR        |

\*\*\* CONTINUED \*\*\*

DISCLAIMER: This End of Life (EOL) notification is in accordance with JEDEC standard JESD48 - Product Discontinuance. Central Semiconductor Corp. will make every effort to offer life-time buy (LTB) opportunities and/or offer replacement devices to existing customers for discontinued devices, however, one or both may not be possible for all devices. Please contact your local Central Semiconductor sales representative for LTB opportunities/additional information.

# Product End of Life Notification

|                           |                  |
|---------------------------|------------------|
| <b>PDN ID:</b>            | PDN01000 Rev:001 |
| <b>Notification Date:</b> | 2/08/21          |
| <b>Last Buy Date:</b>     | Varies           |
| <b>Last Shipment Date</b> | Varies           |

\*\*\* CONTINUED FROM PRIOR PAGE \*\*\*

\* All Plating types (PBFREE,TIN/LEAD) for each item listed are included in this notice.

| <u>Central Part Number</u> | <u>Replacement</u> |
|----------------------------|--------------------|
| CLL4614 BK                 | CMHZ4614 BK        |
| CLL4614 TR                 | CMHZ4614 TR        |
| CLL4615 BK                 | CMHZ4615 BK        |
| CLL4617 BK                 | CMHZ4617 BK        |
| CLL4617 TR                 | CMHZ4617 TR        |
| CLL4619 BK                 | CMHZ4619 BK        |
| CLL4619 TR                 | CMHZ4619 TR        |
| CLL4620 BK                 | CMHZ4620 BK        |
| CLL4620 TR                 | CMHZ4620 TR        |
| CLL4625 BK                 | CMHZ4625 BK        |
| CLL4625 TR                 | CMHZ4625 TR        |
| CLL4626 BK                 | CMHZ4626 BK        |
| CLL4626 TR                 | CMHZ4626 TR        |
| CLL4627 BK                 | CMHZ4627 BK        |
| CLL4627 TR                 | CMHZ4627 TR        |
| CLL4678 BK                 | CMHZ4678 BK        |
| CLL4678 TR                 | CMHZ4678 TR        |
| CLL4679 BK                 | CMHZ4679 BK        |
| CLL4679 TR                 | CMHZ4679 TR        |
| CLL4680 BK                 | CMHZ4680 BK        |
| CLL4680 TR                 | CMHZ4680 TR        |
| CLL4681 BK                 | CMHZ4681 BK        |
| CLL4681 TR                 | CMHZ4681 TR        |
| CLL4682 TR                 | CMHZ4682 TR        |
| CLL4683 BK                 | CMHZ4683 BK        |
| CLL4683 TR                 | CMHZ4683 TR        |
| CLL4684 BK                 | CMHZ4684 BK        |
| CLL4684 TR                 | CMHZ4684 TR        |
| CLL4685 BK                 | CMHZ4685 BK        |
| CLL4685 TR                 | CMHZ4685 TR        |
| CLL4686 BK                 | CMHZ4686 BK        |
| CLL4687 BK                 | CMHZ4687 BK        |
| CLL4687 TR                 | CMHZ4687 TR        |
| CLL4688 BK                 | CMHZ4688 BK        |
| CLL4688 TR                 | CMHZ4688 TR        |
| CLL4689 BK                 | CMHZ4689 BK        |
| CLL4689 TR                 | CMHZ4689 TR        |
| CLL4690 BK                 | CMHZ4690 BK        |
| CLL4690 TR                 | CMHZ4690 TR        |
| CLL4690C BK                | CMHZ4690C BK       |
| CLL4691 BK                 | CMHZ4691 BK        |
| CLL4691 TR                 | CMHZ4691 TR        |
| CLL4692 BK                 | CMHZ4692 BK        |

\*\*\* CONTINUED \*\*\*

DISCLAIMER: This End of Life (EOL) notification is in accordance with JEDEC standard JESD48 - Product Discontinuance. Central Semiconductor Corp. will make every effort to offer life-time buy (LTB) opportunities and/or offer replacement devices to existing customers for discontinued devices, however, one or both may not be possible for all devices. Please contact your local Central Semiconductor sales representative for LTB opportunities/additional information.

# Product End of Life Notification

|                           |                  |
|---------------------------|------------------|
| <b>PDN ID:</b>            | PDN01000 Rev:001 |
| <b>Notification Date:</b> | 2/08/21          |
| <b>Last Buy Date:</b>     | Varies           |
| <b>Last Shipment Date</b> | Varies           |

\*\*\* CONTINUED FROM PRIOR PAGE \*\*\*

\* All Plating types (PBFREE,TIN/LEAD) for each item listed are included in this notice.

| <u>Central Part Number</u> | <u>Replacement</u> |
|----------------------------|--------------------|
| CLL4692 TR                 | CMHZ4692 TR        |
| CLL4693 BK                 | CMHZ4693 BK        |
| CLL4693 TR                 | CMHZ4693 TR        |
| CLL4694 BK                 | CMHZ4694 BK        |
| CLL4694 TR                 | CMHZ4694 TR        |
| CLL4694C BK                | CMHZ4694C BK       |
| CLL4694C TR                | CMHZ4694C TR       |
| CLL4696 BK                 | CMHZ4696 BK        |
| CLL4696 TR                 | CMHZ4696 TR        |
| CLL4697 BK                 | CMHZ4697 BK        |
| CLL4697 TR                 | CMHZ4697 TR        |
| CLL4698 BK                 | CMHZ4698 BK        |
| CLL4698 TR                 | CMHZ4698 TR        |
| CLL4699 BK                 | CMHZ4699 BK        |
| CLL4699 TR                 | CMHZ4699 TR        |
| CLL4700 BK                 | CMHZ4700 BK        |
| CLL4700 TR                 | CMHZ4700 TR        |
| CLL4701 BK                 | CMHZ4701 BK        |
| CLL4702 BK                 | CMHZ4702 BK        |
| CLL4702 TR                 | CMHZ4702 TR        |
| CLL4703 BK                 | CMHZ4703 BK        |
| CLL4703 TR                 | CMHZ4703 TR        |
| CLL4704 BK                 | CMHZ4704 BK        |
| CLL4704 TR                 | CMHZ4704 TR        |
| CLL4705 BK                 | CMHZ4705 BK        |
| CLL4705 TR                 | CMHZ4705 TR        |
| CLL4707 BK                 | CMHZ4707 BK        |
| CLL4707 TR                 | CMHZ4707 TR        |
| CLL4708 BK                 | CMHZ4708 BK        |
| CLL4709 BK                 | CMHZ4709 BK        |
| CLL4709 TR                 | CMHZ4709 TR        |
| CLL4709C BK                | CMHZ4709C BK       |
| CLL4709C TR                | CMHZ4709C TR       |
| CLL4711 BK                 | CMHZ4711 BK        |
| CLL4711 TR                 | CMHZ4711 TR        |
| CLL4713 BK                 | CMHZ4713 BK        |
| CLL4713 TR                 | CMHZ4713 TR        |
| CLL4714 BK                 | CMHZ4714 BK        |
| CLL4715 BK                 | CMHZ4715 BK        |
| CLL4716 BK                 | CMHZ4716 BK        |
| CLL4717 BK                 | CMHZ4717 BK        |
| CLL4728 BK                 | N/A, Stock Only    |
| CLL4728 TR                 | N/A, Stock Only    |

\*\*\* CONTINUED \*\*\*

DISCLAIMER: This End of Life (EOL) notification is in accordance with JEDEC standard JESD48 - Product Discontinuance. Central Semiconductor Corp. will make every effort to offer life-time buy (LTB) opportunities and/or offer replacement devices to existing customers for discontinued devices, however, one or both may not be possible for all devices. Please contact your local Central Semiconductor sales representative for LTB opportunities/additional information.

# Product End of Life Notification

|                    |                  |
|--------------------|------------------|
| PDN ID:            | PDN01000 Rev:001 |
| Notification Date: | 2/08/21          |
| Last Buy Date:     | Varies           |
| Last Shipment Date | Varies           |

\*\*\* CONTINUED FROM PRIOR PAGE \*\*\*

\* All Plating types (PBFREE,TIN/LEAD) for each item listed are included in this notice.

| <u>Central Part Number</u> | <u>Replacement</u> |
|----------------------------|--------------------|
| CLL5001 BK                 | CMPD5001 BK        |
| CLL5001 TR                 | CMPD5001 TR        |
| CLL5221B BK                | CMHZ5221B BK       |
| CLL5221B TR                | CMHZ5221B TR       |
| CLL5222A BK                | N/A, Stock Only    |
| CLL5222B BK                | CMHZ5222B BK       |
| CLL5222B TR                | CMHZ5222B TR       |
| CMEDA-6I BK                | N/A, Stock Only    |
| CMEDA-6I TR                | N/A, Stock Only    |
| CMPD300 BK                 | N/A, Stock Only    |
| CMPD400 BK                 | N/A, Stock Only    |
| CMPT3640 BK                | CMPT4209 TR        |
| CMPT3640 TR                | CMPT4209 TR        |
| CMWSH-4 BK                 | N/A, Stock Only    |
| CMWSH-4 TR                 | N/A, Stock Only    |
| CMZ5337D TR13              | N/A, Stock Only    |
| CMZ5918C BK                | N/A, Stock Only    |
| CN5281B BK                 | N/A, Stock Only    |
| CN5281B TR                 | N/A, Stock Only    |
| CN695 BK                   | N/A, Stock Only    |
| CN695 TR                   | N/A, Stock Only    |
| CR250-2 BK                 | N/A, Stock Only    |
| CR250-2 TR                 | N/A, Stock Only    |
| CR250-3 BK                 | N/A, Stock Only    |
| CR250-3 TR                 | N/A, Stock Only    |
| CR250F-3 BK                | N/A, Stock Only    |
| CR250F-3 TR                | N/A, Stock Only    |
| CR250F-4 BK                | N/A, Stock Only    |
| CR250F-4 TR                | N/A, Stock Only    |
| CR3-005 BK                 | N/A, Stock Only    |
| CR3-005 TR                 | N/A, Stock Only    |
| CR3-010 BK                 | N/A, Stock Only    |
| CR3-010 TR                 | N/A, Stock Only    |
| CR3-020 BK                 | N/A, Stock Only    |
| CR3-020 TR                 | N/A, Stock Only    |
| CR3-040 BK                 | N/A, Stock Only    |
| CR3-040 TR                 | N/A, Stock Only    |
| CR3-060 BK                 | N/A, Stock Only    |
| CR3-060 TR                 | N/A, Stock Only    |
| CR3-080 BK                 | N/A, Stock Only    |
| CR3-100 BK                 | N/A, Stock Only    |
| CR3-120 BK                 | N/A, Stock Only    |
| CR3-120 TR                 | N/A, Stock Only    |

\*\*\* CONTINUED \*\*\*

DISCLAIMER: This End of Life (EOL) notification is in accordance with JEDEC standard JESD48 - Product Discontinuance. Central Semiconductor Corp. will make every effort to offer life-time buy (LTB) opportunities and/or offer replacement devices to existing customers for discontinued devices, however, one or both may not be possible for all devices. Please contact your local Central Semiconductor sales representative for LTB opportunities/additional information.

# Product End of Life Notification

|                           |                  |
|---------------------------|------------------|
| <b>PDN ID:</b>            | PDN01000 Rev:001 |
| <b>Notification Date:</b> | 2/08/21          |
| <b>Last Buy Date:</b>     | Varies           |
| <b>Last Shipment Date</b> | Varies           |

\*\*\* CONTINUED FROM PRIOR PAGE \*\*\*

\* All Plating types (PBFREE,TIN/LEAD) for each item listed are included in this notice.

| <u>Central Part Number</u> | <u>Replacement</u> |
|----------------------------|--------------------|
| CR3U-100 BK                | N/A, Stock Only    |
| CR6AF2 BK                  | CR6AF2GPP BK       |
| CR6A4 BK                   | CR6A4GPP BK        |
| CR6A4 TR                   | N/A, Stock Only    |
| CSMS15 BK                  | N/A, Stock Only    |
| CSMS15 TR                  | N/A, Stock Only    |
| CSMS24 BK                  | N/A, Stock Only    |
| CSMS24 TR                  | N/A, Stock Only    |
| CSTB162 BK                 | N/A, Stock Only    |
| CSTB165 BK                 | N/A, Stock Only    |
| CSTB567 BK                 | CMXSTB200 TR       |
| CSTB568 BK                 | N/A, Stock Only    |
| CSTB569 BK                 | N/A, Stock Only    |
| CTLDM7003T-M563D BK        | N/A, Stock Only    |
| CTLDM7003T-M563D TR        | N/A, Stock Only    |
| CTLDM7120-M832D BK         | N/A, Stock Only    |
| CTLDM7120-M832D TR         | N/A, Stock Only    |
| CTLDM7181-M832D BK         | N/A, Stock Only    |
| CTLDM7181-M832D TR         | N/A, Stock Only    |
| CTLDM8120-M832D BK         | N/A, Stock Only    |
| CTLDM8120-M832D TR         | N/A, Stock Only    |
| CTLM1034-M832D BK          | N/A, Stock Only    |
| CTLM1034-M832D TR          | N/A, Stock Only    |
| CTLM1074-M832D BK          | N/A, Stock Only    |
| CTLM1074-M832D TR          | N/A, Stock Only    |
| CTLM3410-M832D BK          | N/A, Stock Only    |
| CTLM3410-M832D TR          | N/A, Stock Only    |
| CTLM3474-M832D BK          | N/A, Stock Only    |
| CTLM3474-M832D TR          | N/A, Stock Only    |
| CTLM7110-M832D BK          | N/A, Stock Only    |
| CTLM7110-M832D TR          | N/A, Stock Only    |
| CTLM7410-M832D BK          | N/A, Stock Only    |
| CTLM7410-M832D TR          | N/A, Stock Only    |
| CTLM8110-M832D BK          | N/A, Stock Only    |
| CTLM8110-M832D TR          | N/A, Stock Only    |
| CTLSH1-40M322 BK           | N/A, Stock Only    |
| CTLSH1-40M322 TR           | N/A, Stock Only    |
| CTLSH1-40M563 BK           | N/A, Stock Only    |
| CTLSH1-40M563 TR           | N/A, Stock Only    |
| CTLSH1-40M832D BK          | N/A, Stock Only    |
| CTLSH1-40M832D TR          | N/A, Stock Only    |
| CTLSH10-60M856 BK          | N/A, Stock Only    |
| CTLSH10-60M856 TR13        | N/A, Stock Only    |

\*\*\* CONTINUED \*\*\*

DISCLAIMER: This End of Life (EOL) notification is in accordance with JEDEC standard JESD48 - Product Discontinuance. Central Semiconductor Corp. will make every effort to offer life-time buy (LTB) opportunities and/or offer replacement devices to existing customers for discontinued devices, however, one or both may not be possible for all devices. Please contact your local Central Semiconductor sales representative for LTB opportunities/additional information.

# Product End of Life Notification

|                    |                  |
|--------------------|------------------|
| PDN ID:            | PDN01000 Rev:001 |
| Notification Date: | 2/08/21          |
| Last Buy Date:     | Varies           |
| Last Shipment Date | Varies           |

\*\*\* CONTINUED FROM PRIOR PAGE \*\*\*

\* All Plating types (PBFREE,TIN/LEAD) for each item listed are included in this notice.

| <u>Central Part Number</u> | <u>Replacement</u> |
|----------------------------|--------------------|
| CTLSH2-40M832 BK           | N/A, Stock Only    |
| CTLSH2-40M832 TR           | N/A, Stock Only    |
| CTLSH3-30M833 BK           | N/A, Stock Only    |
| CTLSH3-30M833 TR           | N/A, Stock Only    |
| CTLSH5-40M833 BK           | CTLSH5-40M833S TR  |
| CTLSH5-40M833 TR           | CTLSH5-40M833S TR  |
| CTLS5064-M532 BK           | N/A, Stock Only    |
| CTLS5064-M532 TR           | N/A, Stock Only    |
| CTLS5064R-M532 BK          | N/A, Stock Only    |
| CTLS5064R-M532 TR          | N/A, Stock Only    |
| CTLT3410-M521 BK           | N/A, Stock Only    |
| CTLT3410-M521 TR           | N/A, Stock Only    |
| CTLT5551-M832D TR          | N/A, Stock Only    |
| CTLT7410-M521 BK           | N/A, Stock Only    |
| CTLT7410-M521 TR           | N/A, Stock Only    |
| CTLT853-M833 BK            | N/A, Stock Only    |
| CTLT853-M833 TR            | N/A, Stock Only    |
| CTLT953-M833 BK            | N/A, Stock Only    |
| CTLT953-M833 TR            | N/A, Stock Only    |
| CYTA44D BK                 | N/A, Stock Only    |
| CYTA44D TR                 | N/A, Stock Only    |
| CYTA4494D BK               | N/A, Stock Only    |
| CYTA4494D TR               | N/A, Stock Only    |
| CYT5551D BK                | N/A, Stock Only    |
| CYT5551D TR                | N/A, Stock Only    |
| CYT5551HCD BK              | N/A, Stock Only    |
| CYT5551HCD TR              | N/A, Stock Only    |
| CYT7090LD BK               | N/A, Stock Only    |
| CYT7090LD TR               | N/A, Stock Only    |
| CZT900K BK                 | N/A, Stock Only    |
| CZT900K TR                 | N/A, Stock Only    |
| MMPQ2222A BK               | N/A, Stock Only    |
| MMPQ2222A TR13             | N/A, Stock Only    |
| MMPQ2907A BK               | N/A, Stock Only    |
| MMPQ3904 BK                | N/A, Stock Only    |
| MMPQ3904 TR13              | N/A, Stock Only    |
| MMPQ3906 TR13              | N/A, Stock Only    |
| MMPQ6502 BK                | N/A, Stock Only    |
| MMPQ6502 TR13              | N/A, Stock Only    |
| PN3640-18                  | PN4209             |
| PN3640-5                   | PN4209             |
| PN4258 TRE                 | N/A, Stock Only    |
| PN4258-18                  | N/A, Stock Only    |

\*\*\* CONTINUED \*\*\*

DISCLAIMER: This End of Life (EOL) notification is in accordance with JEDEC standard JESD48 - Product Discontinuance. Central Semiconductor Corp. will make every effort to offer life-time buy (LTB) opportunities and/or offer replacement devices to existing customers for discontinued devices, however, one or both may not be possible for all devices. Please contact your local Central Semiconductor sales representative for LTB opportunities/additional information.

# Product End of Life Notification

|                           |                  |
|---------------------------|------------------|
| <b>PDN ID:</b>            | PDN01000 Rev:001 |
| <b>Notification Date:</b> | 2/08/21          |
| <b>Last Buy Date:</b>     | Varies           |
| <b>Last Shipment Date</b> | Varies           |

\*\*\* CONTINUED FROM PRIOR PAGE \*\*\*

\* All Plating types (PBFREE,TIN/LEAD) for each item listed are included in this notice.

| <u>Central Part Number</u> | <u>Replacement</u> |
|----------------------------|--------------------|
| PN5910 TRE                 | PN4209             |
| PN5910-18                  | PN4209             |
| PN5910-5                   | PN4209             |
| 1N277 BK                   | N/A, Stock Only    |
| 1N277 TR                   | N/A, Stock Only    |
| 1N34A BK                   | N/A, Stock Only    |
| 1N34A TR                   | N/A, Stock Only    |
| 1N355 BK                   | N/A, Stock Only    |
| 1N4444 BK                  | N/A, Stock Only    |
| 1N4444 TR                  | N/A, Stock Only    |
| 1N4634 BK                  | N/A, Stock Only    |
| 1N4944 BK                  | 1N4946 BK          |
| 1N4944 TR                  | 1N4946 TR          |
| 1N5333B BK                 | N/A, Stock Only    |
| 1N5333B TR                 | N/A, Stock Only    |
| 1N5334B BK                 | N/A, Stock Only    |
| 1N5335B BK                 | N/A, Stock Only    |
| 1N5335B TR                 | N/A, Stock Only    |
| 1N5336B BK                 | N/A, Stock Only    |
| 1N5336B TR                 | N/A, Stock Only    |
| 1N5337B BK                 | N/A, Stock Only    |
| 1N5338B BK                 | CZ5338B BK         |
| 1N5338B TR                 | CZ5338B TR         |
| 1N5339B BK                 | CZ5339B BK         |
| 1N5339C BK                 | N/A, Stock Only    |
| 1N5339C TR                 | N/A, Stock Only    |
| 1N5340B BK                 | CZ5340B BK         |
| 1N5341B BK                 | CZ5341B BK         |
| 1N5341C BK                 | N/A, Stock Only    |
| 1N5342B BK                 | CZ5342B BK         |
| 1N5342C BK                 | N/A, Stock Only    |
| 1N5343B BK                 | CZ5343B BK         |
| 1N5343C BK                 | N/A, Stock Only    |
| 1N5344B BK                 | CZ5344B BK         |
| 1N5344B TR                 | CZ5344B TR         |
| 1N5345B BK                 | CZ5345B BK         |
| 1N5346B BK                 | CZ5346B BK         |
| 1N5346B TR                 | CZ5346B TR         |
| 1N5347B BK                 | CZ5347B BK         |
| 1N5348B BK                 | CZ5348B BK         |
| 1N5349B BK                 | CZ5349B BK         |
| 1N5350B BK                 | CZ5350B BK         |
| 1N5350C BK                 | N/A, Stock Only    |

\*\*\* CONTINUED \*\*\*

DISCLAIMER: This End of Life (EOL) notification is in accordance with JEDEC standard JESD48 - Product Discontinuance. Central Semiconductor Corp. will make every effort to offer life-time buy (LTB) opportunities and/or offer replacement devices to existing customers for discontinued devices, however, one or both may not be possible for all devices. Please contact your local Central Semiconductor sales representative for LTB opportunities/additional information.

# Product End of Life Notification

|                    |                  |
|--------------------|------------------|
| PDN ID:            | PDN01000 Rev:001 |
| Notification Date: | 2/08/21          |
| Last Buy Date:     | Varies           |
| Last Shipment Date | Varies           |

\*\*\* CONTINUED FROM PRIOR PAGE \*\*\*

\* All Plating types (PBFREE,TIN/LEAD) for each item listed are included in this notice.

| <u>Central Part Number</u> | <u>Replacement</u> |
|----------------------------|--------------------|
| 1N5351B BK                 | CZ5351B BK         |
| 1N5351B TR                 | CZ5351B TR         |
| 1N5351C BK                 | N/A, Stock Only    |
| 1N5352B BK                 | N/A, Stock Only    |
| 1N5352B TR                 | CZ5352B TR         |
| 1N5355B BK                 | CZ5355B BK         |
| 1N5356B BK                 | CZ5356B BK         |
| 1N5357B BK                 | CZ5357B BK         |
| 1N5358B BK                 | CZ5358B BK         |
| 1N5359B BK                 | CZ5359B BK         |
| 1N5359B TR                 | CZ5359B TR         |
| 1N5360B BK                 | CZ5360B BK         |
| 1N5361B BK                 | CZ5361B BK         |
| 1N5362B BK                 | N/A, Stock Only    |
| 1N5362B TR                 | CZ5362B TR         |
| 1N5364B BK                 | CZ5364B BK         |
| 1N5364B TR                 | CZ5364B TR         |
| 1N5365B BK                 | CZ5365B BK         |
| 1N5365B TR                 | CZ5365B TR         |
| 1N5368B BK                 | CZ5368B BK         |
| 1N5370B BK                 | CZ5370B BK         |
| 1N5370B TR                 | CZ5370B TR         |
| 1N5373B BK                 | CZ5373B BK         |
| 1N5373B TR                 | N/A, Stock Only    |
| 1N5374B BK                 | N/A, Stock Only    |
| 1N5375B BK                 | N/A, Stock Only    |
| 1N5376B BK                 | N/A, Stock Only    |
| 1N5377B BK                 | N/A, Stock Only    |
| 1N5377B TR                 | N/A, Stock Only    |
| 1N5378B BK                 | N/A, Stock Only    |
| 1N5378B TR                 | N/A, Stock Only    |
| 1N5380B BK                 | N/A, Stock Only    |
| 1N5380B TR                 | N/A, Stock Only    |
| 1N5382B BK                 | N/A, Stock Only    |
| 1N5383B BK                 | N/A, Stock Only    |
| 1N5384B BK                 | N/A, Stock Only    |
| 1N5386B BK                 | N/A, Stock Only    |
| 1N5387B BK                 | N/A, Stock Only    |
| 1N5388B BK                 | N/A, Stock Only    |
| 1N5388B TR                 | N/A, Stock Only    |
| 1N5416 BK                  | 1N5419 BK          |
| 1N5416 TR                  | 1N5419 TR          |
| 1N5417 BK                  | 1N5419 BK          |

\*\*\* CONTINUED \*\*\*

DISCLAIMER: This End of Life (EOL) notification is in accordance with JEDEC standard JESD48 - Product Discontinuance. Central Semiconductor Corp. will make every effort to offer life-time buy (LTB) opportunities and/or offer replacement devices to existing customers for discontinued devices, however, one or both may not be possible for all devices. Please contact your local Central Semiconductor sales representative for LTB opportunities/additional information.

# Product End of Life Notification

|                    |                  |
|--------------------|------------------|
| PDN ID:            | PDN01000 Rev:001 |
| Notification Date: | 2/08/21          |
| Last Buy Date:     | Varies           |
| Last Shipment Date | Varies           |

\*\*\* CONTINUED FROM PRIOR PAGE \*\*\*

\* All Plating types (PBFREE,TIN/LEAD) for each item listed are included in this notice.

| Central Part Number | Replacement     |
|---------------------|-----------------|
| 1N5417 TR           | 1N5419 TR       |
| 1N5418 BK           | 1N5419 BK       |
| 1N5418 TR           | 1N5419 TR       |
| 1N5559B BK          | 1N4736A BK      |
| 1N5559B TR          | 1N4736A TR      |
| 1N5565B BK          | 1N4742A BK      |
| 1N5565B TR          | 1N4742A TR      |
| 1N5586B BK          | N/A, Stock Only |
| 1N60 BK             | N/A, Stock Only |
| 1N6263 BK           | CMDD6263 BK     |
| 1N6263 TR           | CMDD6263 TR     |
| 1N6263 TR4K         | CMDD6263 TR     |
| 1N6373 BK           | 1.5CE6.8A BK    |
| 1N6373 TR           | 1.5CE6.8A TR    |
| 1N64 BK             | N/A, Stock Only |
| 1N645 BK            | N/A, Stock Only |
| 1N645 TR            | N/A, Stock Only |
| 1N647 BK            | N/A, Stock Only |
| 1N649 BK            | N/A, Stock Only |
| 1N67A BK            | N/A, Stock Only |
| 1N774 BK            | N/A, Stock Only |
| 1N821A BK           | CMKTC825A BK    |
| 1N821A TR           | CMKTC825A TR    |
| 1N823A BK           | CMKTC825A BK    |
| 1N823A DO-7 BK      | CMKTC825A BK    |
| 1N823A DO-7 TR      | CMKTC825A BK    |
| 1N823A TR           | CMKTC825A TR    |
| 1N825A BK           | CMKTC825A BK    |
| 1N825A DO-7 BK      | CMKTC825A BK    |
| 1N825A TR           | CMKTC825A TR    |
| 1N827A BK           | CMKTC825A BK    |
| 1N827A DO-7 BK      | CMKTC825A BK    |
| 1N827A TR           | CMKTC825A TR    |
| 1N829A BK           | CMKTC825A BK    |
| 1N829A DO-7 BK      | CMKTC825A BK    |
| 1N829A TR           | CMKTC825A TR    |
| 1N87A BK            | N/A, Stock Only |
| 1N87A TR            | N/A, Stock Only |
| 1N888 BK            | N/A, Stock Only |
| 1N914B BK           | N/A, Stock Only |
| 1N914B TR           | N/A, Stock Only |
| 2N5771 TRE          | PN4209          |
| 2N5771-5T           | N/A, Stock Only |

\*\*\* CONTINUED \*\*\*

DISCLAIMER: This End of Life (EOL) notification is in accordance with JEDEC standard JESD48 - Product Discontinuance. Central Semiconductor Corp. will make every effort to offer life-time buy (LTB) opportunities and/or offer replacement devices to existing customers for discontinued devices, however, one or both may not be possible for all devices. Please contact your local Central Semiconductor sales representative for LTB opportunities/additional information.



http://www.centrasemi.com

# Product End of Life Notification

|                           |                  |
|---------------------------|------------------|
| <b>PDN ID:</b>            | PDN01000 Rev:001 |
| <b>Notification Date:</b> | 2/08/21          |
| <b>Last Buy Date:</b>     | Varies           |
| <b>Last Shipment Date</b> | Varies           |

\*\*\* CONTINUED FROM PRIOR PAGE \*\*\*

**\* All Plating types (PBFREE,TIN/LEAD) for each item listed are included in this notice.**

**Central Part Number                      Replacement**

Central would be happy to assist you by providing additional information or technical data to help locate an alternate source if we have no replacement available. Please email your requests to [engineering@centrasemi.com](mailto:engineering@centrasemi.com).

---

DISCLAIMER: This End of Life (EOL) notification is in accordance with JEDEC standard JESD48 - Product Discontinuance. Central Semiconductor Corp. will make every effort to offer life-time buy (LTB) opportunities and/or offer replacement devices to existing customers for discontinued devices, however, one or both may not be possible for all devices. Please contact your local Central Semiconductor sales representative for LTB opportunities/additional information.