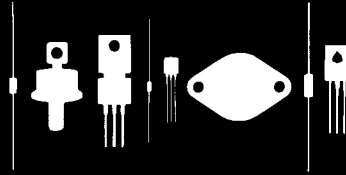


Central
Semiconductor Corp.
Central
Semiconductor Corp.
Central
Semiconductor Corp.
145 Adams Avenue
Hauppauge, New York 11788



CRSH8-4
CRSH8-6

SCHOTTKY BARRIER RECTIFIER
8.0 AMPS, 40 AND 60 VOLTS

JEDEC TO-220AC CASE

DESCRIPTION

The CENTRAL SEMICONDUCTOR CRSH8 Series types are Schottky Barrier Rectifiers mounted in a JEDEC TO-220AC case using metal to silicon junction to yield low forward voltage drop and instantaneous reverse recovery times. For Reverse polarity, add "R" suffix to part number (Example: CRSH8-4R).

MAXIMUM RATINGS ($T_C = 25^\circ\text{C}$ unless otherwise noted)

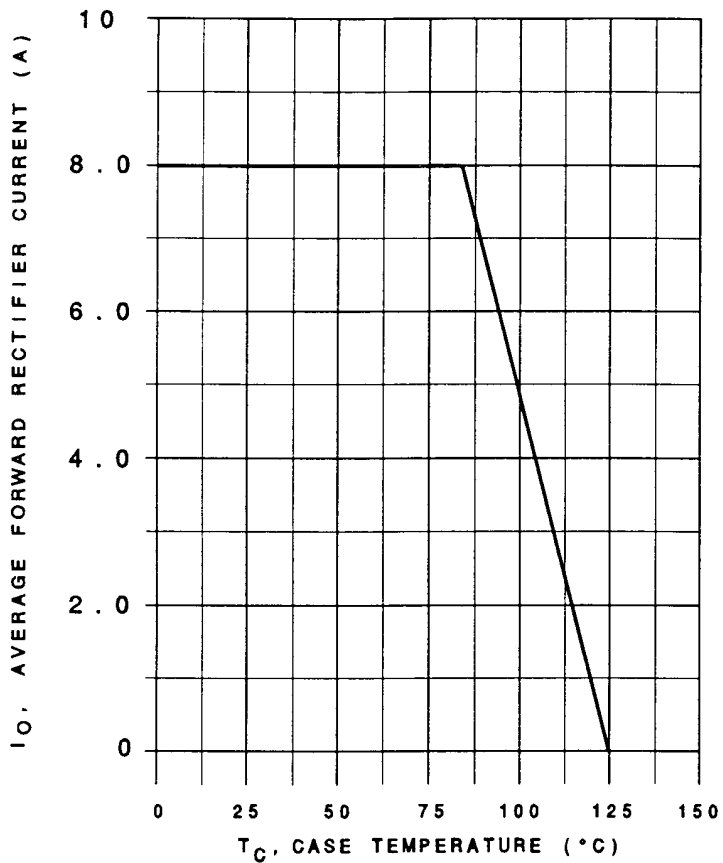
	<u>SYMBOL</u>	<u>CRSH8-4</u>	<u>CRSH8-6</u>	<u>UNITS</u>
Peak Repetitive Reverse Voltage	V_{RRM}	40	60	V
DC Blocking Voltage	V_R	40	60	V
RMS Reverse Voltage	$V_{R(RMS)}$	28	42	V
Average Forward Current ($T_C = 85^\circ\text{C}$)	I_O		8.0	A
Peak Forward Surge Current (8.3ms)	I_{FSM}		150	A
Storage Temperature	T_{stg}	-65 to +150		$^\circ\text{C}$
Junction Temperature	T_J	-65 to +125		$^\circ\text{C}$
Thermal Resistance	θ_{JC}	3.0 TYP.		$^\circ\text{C/W}$

ELECTRICAL CHARACTERISTICS ($T_C = 25^\circ\text{C}$ unless otherwise noted)

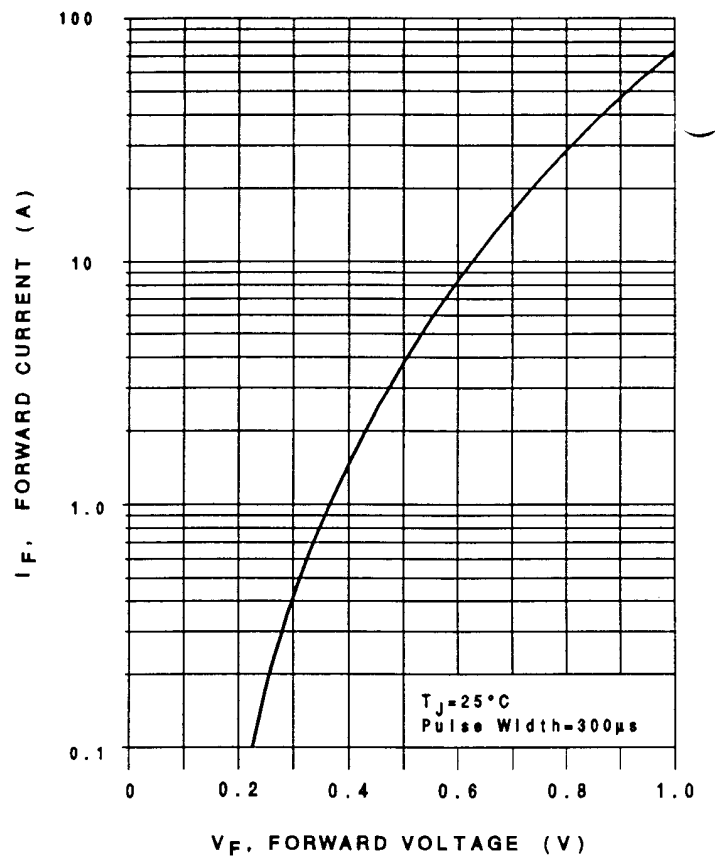
<u>SYMBOL</u>	<u>TEST CONDITIONS</u>	<u>MIN</u>	<u>TYP</u>	<u>MAX</u>	<u>UNITS</u>
I_R	$V_R = \text{Rated } V_{RRM}$			0.5	mA
I_R	$V_R = \text{Rated } V_{RRM}, T_C = 100^\circ\text{C}$			50	mA
V_F	$I_F = 7.5\text{A}$			0.75	V
C_J	$V_R = 4.0\text{V}, f = 1.0\text{MHz}$		700		pF

CRSH8 SERIES RATING AND CHARACTERISTIC CURVES

FORWARD DERATING CURVE

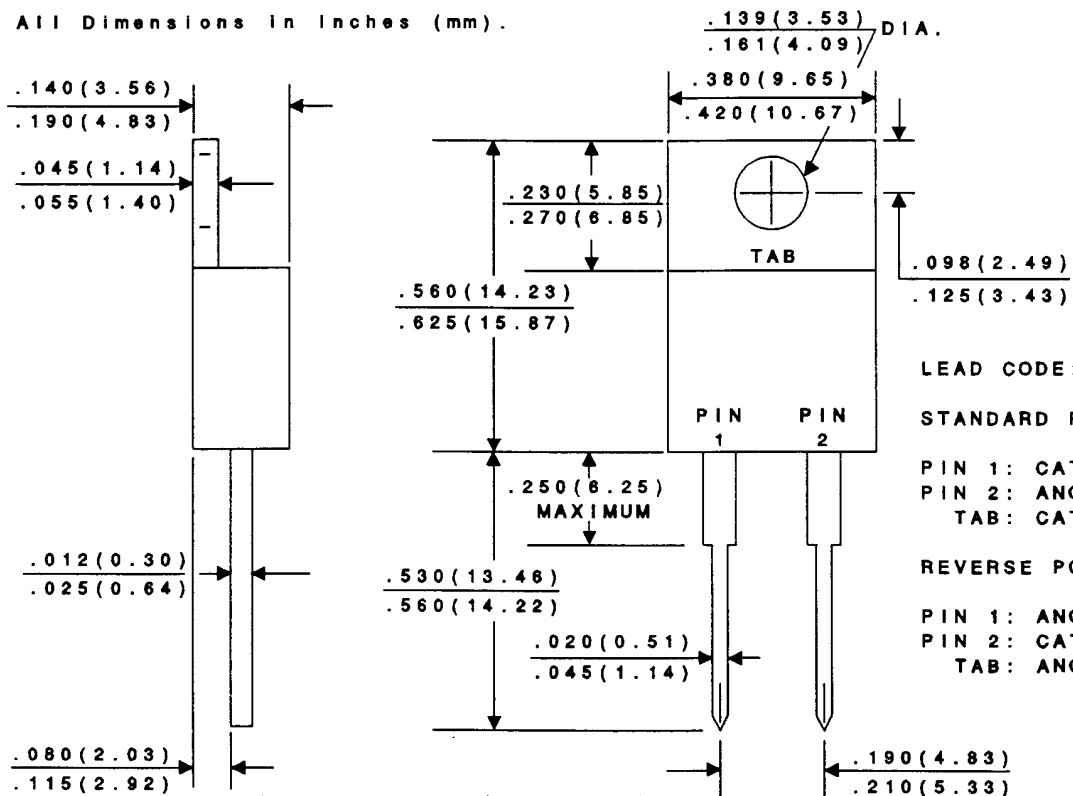


TYPICAL FORWARD CHARACTERISTICS



MECHANICAL DIMENSIONS

All Dimensions in Inches (mm).



LEAD CODE:
STANDARD POLARITY
 PIN 1: CATHODE
 PIN 2: ANODE
 TAB: CATHODE
REVERSE POLARITY
 PIN 1: ANODE
 PIN 2: CATHODE
 TAB: ANODE

OUTSTANDING SUPPORT AND SUPERIOR SERVICES



PRODUCT SUPPORT

Central's operations team provides the highest level of support to insure product is delivered on-time.

- Supply management (Customer portals)
- Inventory bonding
- Consolidated shipping options
- Custom bar coding for shipments
- Custom product packing

DESIGNER SUPPORT/SERVICES

Central's applications engineering team is ready to discuss your design challenges. Just ask.

- Free quick ship samples (2nd day air)
- Online technical data and parametric search
- SPICE models
- Custom electrical curves
- Environmental regulation compliance
- Customer specific screening
- Up-screening capabilities
- Special wafer diffusions
- PbSn plating options
- Package details
- Application notes
- Application and design sample kits
- Custom product and package development

REQUESTING PRODUCT PLATING

1. If requesting Tin/Lead plated devices, add the suffix "TIN/LEAD" to the part number when ordering (example: 2N2222A TIN/LEAD).
2. If requesting Lead (Pb) Free plated devices, add the suffix "PBFREE" to the part number when ordering (example: 2N2222A PBFREE).

CONTACT US

Corporate Headquarters & Customer Support Team

Central Semiconductor Corp.
145 Adams Avenue
Hauppauge, NY 11788 USA
Main Tel: (631) 435-1110
Main Fax: (631) 435-1824
Support Team Fax: (631) 435-3388
www.centrasemi.com

Worldwide Field Representatives:
www.centrasemi.com/wwreps

Worldwide Distributors:
www.centrasemi.com/wwdistributors

For the latest version of Central Semiconductor's **LIMITATIONS AND DAMAGES DISCLAIMER**, which is part of Central's Standard Terms and Conditions of sale, visit: www.centrasemi.com/terms