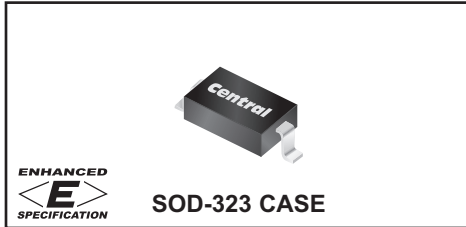


**CMDSH-4E****ENHANCED SPECIFICATION  
SURFACE MOUNT SILICON  
SCHOTTKY DIODE**
[www.centrasemi.com](http://www.centrasemi.com)
**DESCRIPTION:**

The CENTRAL SEMICONDUCTOR CMDSH-4E is an enhanced version of the CMDSH-3 silicon Schottky diode in an SOD-323 surface mount package.

**ENHANCED SPECIFICATIONS:**

- ◆  $I_O$  from 100mA MAX to 200mA MAX
- ◆  $BV_R$  from 30V MIN to 40V MIN
- ◆  $V_F$  from 1.0V MAX to 0.8V MAX

**MARKING CODE: S1E****MAXIMUM RATINGS:** ( $T_A=25^\circ\text{C}$ )

- ◆ **Peak Repetitive Reverse Voltage**
- ◆ **Average Forward Current**
- Peak Repetitive Forward Current
- Peak Forward Surge Current,  $t_p=10\text{ms}$
- Power Dissipation
- Operating and Storage Junction Temperature
- Thermal Resistance

SYMBOL		UNITS
$V_{RRM}$	40	V
$I_O$	200	mA
$I_{FRM}$	350	mA
$I_{FSM}$	750	mA
$P_D$	250	mW
$T_J, T_{stg}$	-65 to +150	$^\circ\text{C}$
$\theta_{JA}$	500	$^\circ\text{C/W}$

**ELECTRICAL CHARACTERISTICS:** ( $T_A=25^\circ\text{C}$  unless otherwise noted)

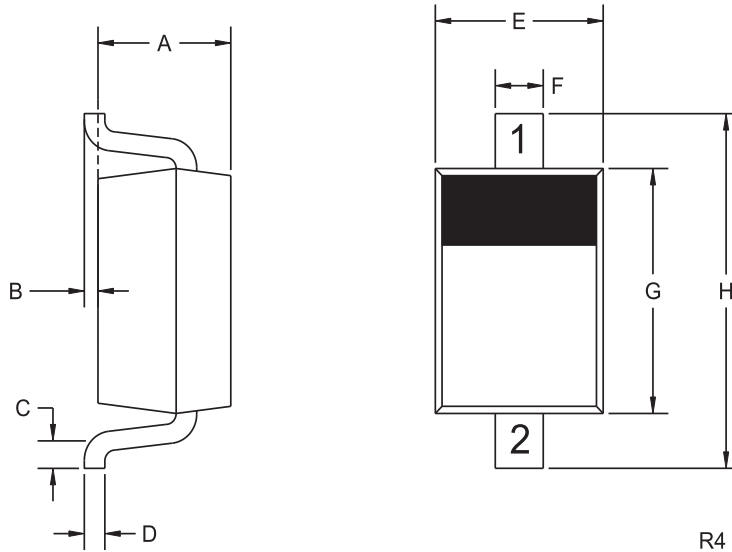
SYMBOL	TEST CONDITIONS	MIN	TYP	MAX	UNITS
$I_R$	$V_R=25\text{V}$		90	500	nA
$I_R$	$V_R=25\text{V}, T_A=100^\circ\text{C}$		25	100	$\mu\text{A}$
◆ $BV_R$	$I_R=100\mu\text{A}$	40	50		V
$V_F$	$I_F=2.0\text{mA}$		0.29	0.33	V
◆ $V_F$	$I_F=15\text{mA}$		0.37	0.42	V
◆ $V_F$	$I_F=100\text{mA}$		0.51	0.80	V
◆◆ $V_F$	$I_F=200\text{mA}$		0.65	1.0	V
$C_J$	$V_R=1.0\text{V}, f=1.0\text{MHz}$		7.0		pF
$t_{rr}$	$I_F=I_R=10\text{mA}, I_{rr}=1.0\text{mA}, R_L=100\Omega$			5.0	ns

- ◆ Enhanced specification.
- ◆◆ Additional Enhanced specification.

**CMDSH-4E**  
**ENHANCED SPECIFICATION**  
**SURFACE MOUNT SILICON**  
**SCHOTTKY DIODE**



**SOD-323 CASE - MECHANICAL OUTLINE**



**LEAD CODE:**

- 1) Cathode
- 2) Anode

**MARKING CODE: S1E**

SYMBOL	DIMENSIONS			
	INCHES		MILLIMETERS	
	MIN	MAX	MIN	MAX
A	0.031	0.039	0.80	1.00
B	0.000	0.004	0.00	0.10
C	0.008	-	0.20	-
D	0.004	0.007	0.11	0.19
E	0.045	0.053	1.15	1.35
F	-	0.014	-	0.35
G	0.063	0.071	1.60	1.80
H	0.094	0.102	2.40	2.60

SOD-323 (REV: R4)

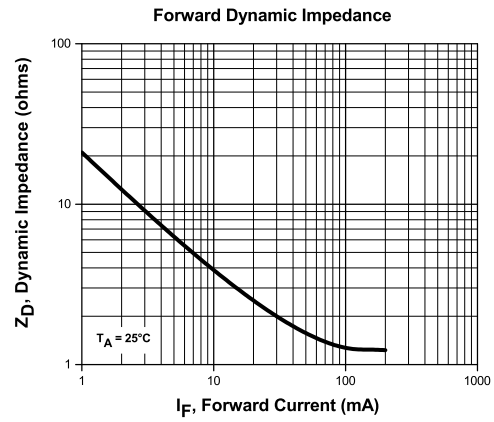
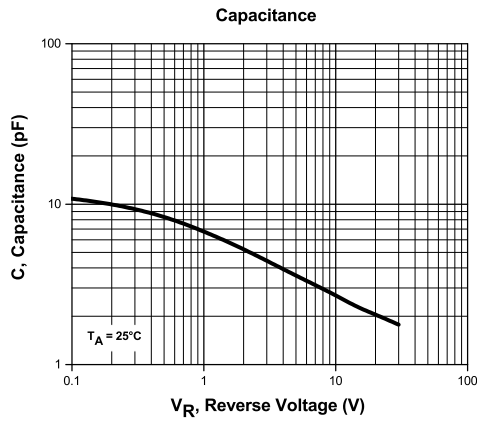
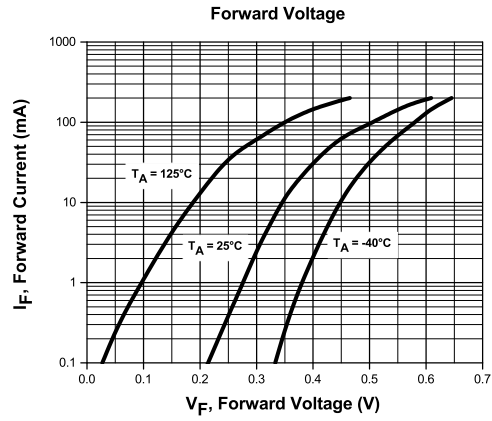
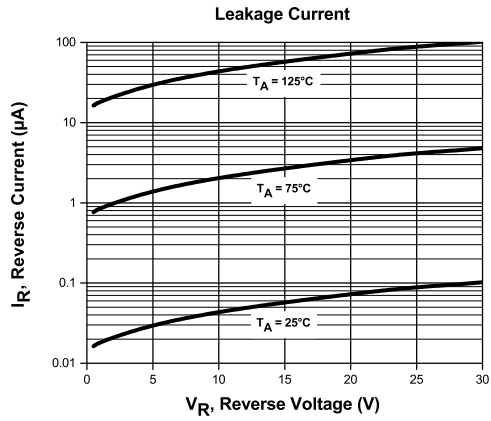
R3 (11-February 2016)

**CMDSH-4E**

**ENHANCED SPECIFICATION  
SURFACE MOUNT SILICON  
SCHOTTKY DIODE**



**TYPICAL ELECTRICAL CHARACTERISTICS**



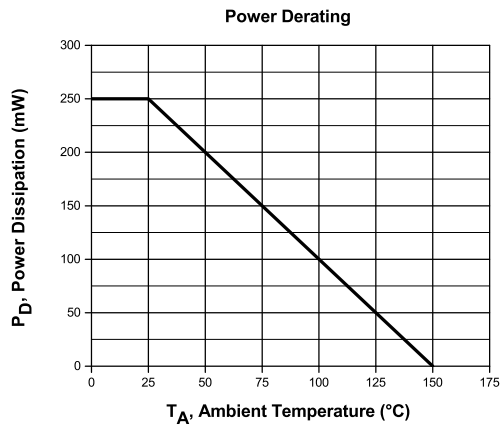
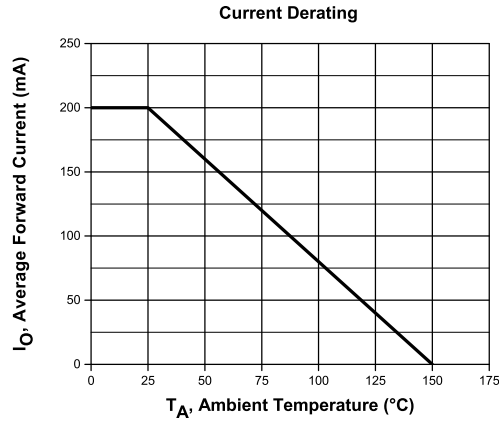
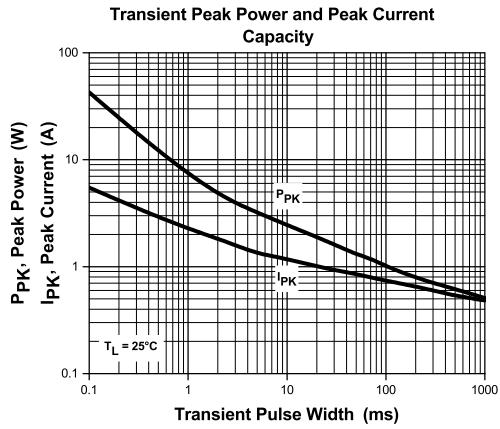
R3 (11-February 2016)

CMDSH-4E

**ENHANCED SPECIFICATION  
SURFACE MOUNT SILICON  
SCHOTTKY DIODE**



**TYPICAL ELECTRICAL CHARACTERISTICS**

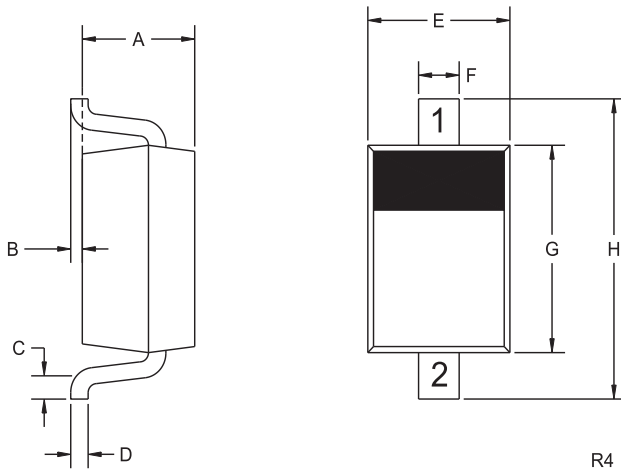


R3 (11-February 2016)

**Package Details**  
SOD-323 Case



**Mechanical Drawing**



SYMBOL	INCHES		MILLIMETERS	
	MIN	MAX	MIN	MAX
A	0.031	0.039	0.80	1.00
B	0.000	0.004	0.00	0.10
C	0.008	-	0.20	-
D	0.004	0.007	0.11	0.19
E	0.045	0.053	1.15	1.35
F	-	0.014	-	0.35
G	0.063	0.071	1.60	1.80
H	0.094	0.102	2.40	2.60

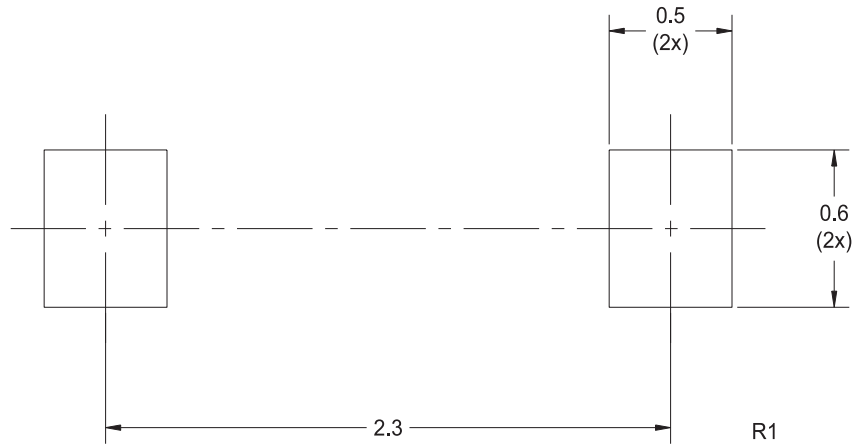
SOD-323 (REV: R4)

**Lead Code:**

- 1) Cathode
- 2) Anode

**Part Marking:** 2-3 Character Alpha/Numeric Code

**Mounting Pad Geometry** (Dimensions in mm)



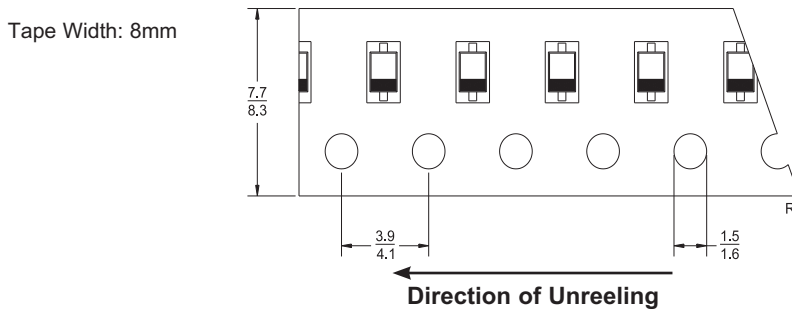
R3 (4-March 2010)

# Package Details

## SOD-323 Case



### Tape Dimensions and Orientation (Dimensions in mm)



Devices are taped in accordance with Electronic Industries Association Standard EIA-481-1-A

### Packaging Base

7" Reel = 3,000 pcs.

### Reel Labeling Information

Each reel is labeled with the following information:

Central Part Number, Customer Part Number, Purchase Order Number, Quantity, Lot Number, Date Code, Ship Date and Marking Code.

### Reel Packing Information

Reel Size	Reels per Box (Maximum)	Parts per Box (Maximum)	Box Dimensions		Shipping Weight (Max.)	
			INCH	CM	LB	KG
7"	9	27,000	9x9x5	23x23x13	3	2
	18	54,000	9x9x9	23x23x23	6	3
	40	120,000	21x9x9	53x23x23	13	6
	108	324,000	27x9x17	69x23x43	34	16

### Ordering Information

- For devices taped and reeled on 7" reels, add TR suffix to part number.
- All SMDs are available in small quantities for prototype and manual placement applications.

R3 (4-March 2010)

# Material Composition Specification

## SOD-323 Case



Device average mass . . . . . **4.9 mg**  
 Fluctuation margin . . . . . **+/-10%**

Component	Material	Material		Substance	CAS No.	Substance		
		(%wt)	(mg)			(%wt)	(mg)	(ppm)
active device	doped Si	1.43%	0.07	Si	7440-21-3	1.43%	0.07	14,286
bond wire	gold	0.2%	0.01	Au	7440-57-5	0.2%	0.01	2,041
leadframe	copper w/ silver plating	22.82%	1.118	Cu	7440-50-8	22.24%	1.09	222,449
				Fe	7439-89-6	0.12	0.006	1,224
				Ag	7440-22-4	0.45%	0.022	4,490
encapsulation*	EMC	71.55%	3.506	silica	7631-86-9	51.59%	2.528	515,918
				epoxy resin	Proprietary	17.96%	0.88	179,592
				Sb <sub>2</sub> O <sub>3</sub>	1309-64-4	1.43%	0.07	14,286
				TBBA	79-94-7	0.37%	0.018	3,673
				carbon black	1333-86-4	0.2%	0.01	2,041
	EMC GREEN	71.55%	3.506	silica	60676-86-0	47.63%	2.334	476,327
				epoxy resin	29690-82-2	11.04%	0.541	110,408
				phenol resin	9003-35-4	5.53%	0.271	55,306
				carbon black	1333-86-4	0.2%	0.01	2,041
				aluminum hydroxide	21645-51-2	7.14%	0.35	71,429
plating**	tin/lead process	4.0%	0.196	Sn	7440-31-5	3.41%	0.167	34,082
				Pb	7439-92-1	0.59%	0.029	5,918
	matte tin	4.0%	0.196	Sn	7440-31-5	4.0%	0.196	40,000

\*EMC GREEN molding compound is Halogen-Free.

\*\*For Lead Free plating, add suffix "PB FREE" to part number.

For Tin/Lead plating, add suffix "TIN/LEAD" to part number.

No suffix designation allows for the supply of either lead-free or tin/lead plated product depending on availability.

### Disclaimer

The information provided in this Material Composition data sheet is, to the best of our knowledge, correct. However, there is no guarantee to completeness or accuracy, as some information is derived from data sources outside the company.

R9 (3-October 2019)

# Material Composition Specification

## SOD-323 Case



Device average mass . . . . . **4.9 mg**  
 Fluctuation margin . . . . . **+/-10%**

Component	Material	Material		Substance	CAS No.	Substance		
		(%wt)	(mg)			(%wt)	(mg)	(ppm)
active device	doped Si	1.43%	0.07	Si	7440-21-3	1.43%	0.07	14,286
bond wire	gold	0.2%	0.01	Au	7440-57-5	0.2%	0.01	2,041
leadframe	copper w/ silver plating	22.82%	1.118	Cu	7440-50-8	22.24%	1.09	222,449
				Fe	7439-89-6	0.12	0.006	1,224
				Ag	7440-22-4	0.45%	0.022	4,490
encapsulation*	EMC	71.55%	3.506	silica	7631-86-9	51.59%	2.528	515,918
				epoxy resin	Proprietary	17.96%	0.88	179,592
				Sb <sub>2</sub> O <sub>3</sub>	1309-64-4	1.43%	0.07	14,286
				TBBA	79-94-7	0.37%	0.018	3,673
				carbon black	1333-86-4	0.2%	0.01	2,041
	EMC GREEN	71.55%	3.506	silica	60676-86-0	47.63%	2.334	476,327
				epoxy resin	29690-82-2	11.04%	0.541	110,408
				phenol resin	9003-35-4	5.53%	0.271	55,306
				carbon black	1333-86-4	0.2%	0.01	2,041
				aluminum hydroxide	21645-51-2	7.14%	0.35	71,429
plating**	tin/lead process	4.0%	0.196	Sn	7440-31-5	3.41%	0.167	34,082
				Pb	7439-92-1	0.59%	0.029	5,918
	matte tin	4.0%	0.196	Sn	7440-31-5	4.0%	0.196	40,000

\*EMC GREEN molding compound is Halogen-Free.

\*\*For Lead Free plating, add suffix "PB FREE" to part number.

For Tin/Lead plating, add suffix "TIN/LEAD" to part number.

No suffix designation allows for the supply of either lead-free or tin/lead plated product depending on availability.

### Disclaimer

The information provided in this Material Composition data sheet is, to the best of our knowledge, correct. However, there is no guarantee to completeness or accuracy, as some information is derived from data sources outside the company.

R9 (3-October 2019)

## OUTSTANDING SUPPORT AND SUPERIOR SERVICES



---

### PRODUCT SUPPORT

Central's operations team provides the highest level of support to insure product is delivered on-time.

- Supply management (Customer portals)
- Inventory bonding
- Consolidated shipping options
- Custom bar coding for shipments
- Custom product packing

---

### DESIGNER SUPPORT/SERVICES

Central's applications engineering team is ready to discuss your design challenges. Just ask.

- Free quick ship samples (2<sup>nd</sup> day air)
- Online technical data and parametric search
- SPICE models
- Custom electrical curves
- Environmental regulation compliance
- Customer specific screening
- Up-screening capabilities
- Special wafer diffusions
- PbSn plating options
- Package details
- Application notes
- Application and design sample kits
- Custom product and package development

---

### REQUESTING PRODUCT PLATING

1. If requesting Tin/Lead plated devices, add the suffix "TIN/LEAD" to the part number when ordering (example: 2N2222A TIN/LEAD).
2. If requesting Lead (Pb) Free plated devices, add the suffix "PBFREE" to the part number when ordering (example: 2N2222A PBFREE).

---

### CONTACT US

#### Corporate Headquarters & Customer Support Team

Central Semiconductor Corp.  
145 Adams Avenue  
Hauppauge, NY 11788 USA  
Main Tel: (631) 435-1110  
Main Fax: (631) 435-1824  
Support Team Fax: (631) 435-3388  
[www.centrasemi.com](http://www.centrasemi.com)

**Worldwide Field Representatives:**  
[www.centrasemi.com/wwreps](http://www.centrasemi.com/wwreps)

**Worldwide Distributors:**  
[www.centrasemi.com/wwdistributors](http://www.centrasemi.com/wwdistributors)

---

For the latest version of Central Semiconductor's **LIMITATIONS AND DAMAGES DISCLAIMER**, which is part of Central's Standard Terms and Conditions of sale, visit: [www.centrasemi.com/terms](http://www.centrasemi.com/terms)



# Product End of Life Notification

<b>PDN ID:</b>	PDN01277 Rev:001
<b>Notification Date:</b>	1/14/26
<b>Last Buy Date:</b>	Stock Only
<b>Last Shipment Date</b>	Stock Only

<https://www.centrasemi.com>

Please be advised that Central Semiconductor must immediately discontinue the product(s) listed in the attached PDN notice. Orders can only be accepted for products with available inventory on hand.

You may have purchased one or more of the products listed. Please do not hesitate to contact your local Central Semiconductor sales representative with any questions or needs you may have. Central regrets any inconvenience this may cause.

Sincerely,

Central Semiconductor, LLC

---

DISCLAIMER: This End of Life (EOL) notification is in accordance with JEDEC standard JESD48 - Product Discontinuance. Central Semiconductor will make every effort to offer life-time buy (LTB) opportunities and/or offer replacement devices to existing customers for discontinued devices, however, one or both may not be possible for all devices. Please contact your local Central Semiconductor sales representative for LTB opportunities/additional information.



https://www.centalsemi.com

# Product End of Life Notification

PDN ID:	PDN01277 Rev:001
Notification Date:	1/14/26
Last Buy Date:	Stock Only
Last Shipment Date	Stock Only

Summary: All devices manufactured in the SOD-323 package are discontinued and now classified as End of Life (EOL). Rev:001 of PDN#01277, January 14, 2026, issued to add all replacement part numbers for devices in the SOD-323 Case. Devices previously sold in the SOD-323 case are now offered in the SOD-323F case (see replacement part numbers below). Please contact your Central Semiconductor Customer Service Representative at 001.631.435.1110

Although Central Semiconductor makes every effort to continue to produce devices that have been proclaimed EOL (End of Life) by other manufacturers, it is an accepted industry practice to discontinue certain devices when customer demand falls below a minimum level of sustainability. Accordingly, the following product(s) have been transitioned to End of Life status as part of Central's ongoing Product Portfolio Management. Any replacement products are noted below. The effective date for placing last purchase orders will be six (6) months from the date of this notice and twelve (12) months from the notice date for final shipments, and minimum order quantities may apply. The last purchase and shipment dates may be extended if inventory is available.

**\* All Plating types (PBFREE,TIN/LEAD) for each item listed are included in this notice.**

Central Part Number	Suggested Replacement
CEN1095 BK	N/A
CEN1095 TR	N/A
CEN1208 BK	N/A
CEN1208 TR	N/A
CMDD2004 BK	CMDD2004F BK
CMDD2004 TR	CMDD2004F TR
CMDD3003 BK	CMDD3003F BK
CMDD3003 TR	CMDD3003F TR
CMDD4448 BK	CMDD4448F BK
CMDD4448 TR	CMDD4448F TR
CMDD6001 BK	CMDD6001F BK
CMDD6001 TR	CMDD6001F TR
CMDD6263 BK	CMDD6263F BK
CMDD6263 TR	CMDD6263F TR
CMDSH-3 BK	CMDSH-3F BK
CMDSH-3 TR	CMDSH-3F TR
CMDSH-4E BK	CMDSH-4EF BK
CMDSH-4E TR	CMDSH-4EF TR
CMDSH05-4 BK	CMDSH05-4F BK
CMDSH05-4 TR	CMDSH05-4F TR
CMDSH05-45 BK	CMDSH05-45F BK
CMDSH05-45 TR	CMDSH05-45F TR
CMDSH05-45 TR13	N/A
CMDSH2-3 BK	CMDSH2-3F BK
CMDSH2-3 TR	CMDSH2-3F TR
CMDSH2-4L BK	CMDSH2-4LF BK
CMDSH2-4L TR	CMDSH2-4LF TR
CMDZ1L8 BK	CMDZ1L8F BK
CMDZ1L8 TR	CMDZ1L8F TR
CMDZ10L BK	CMDZ10LF BK
CMDZ10L TR	CMDZ10LF TR
CMDZ10V BK	CMDZ10VF BK
CMDZ10V TR	CMDZ10VF TR

\*\*\* CONTINUED \*\*\*

DISCLAIMER: This End of Life (EOL) notification is in accordance with JEDEC standard JESD48 - Product Discontinuance. Central Semiconductor will make every effort to offer life-time buy (LTB) opportunities and/or offer replacement devices to existing customers for discontinued devices, however, one or both may not be possible for all devices. Please contact your local Central Semiconductor sales representative for LTB opportunities/additional information.



https://www.centrasemi.com

# Product End of Life Notification

PDN ID:	PDN01277 Rev:001
Notification Date:	1/14/26
Last Buy Date:	Stock Only
Last Shipment Date	Stock Only

\*\*\* CONTINUED FROM PRIOR PAGE \*\*\*

\* All Plating types (PBFREE,TIN/LEAD) for each item listed are included in this notice.

Central Part Number	Suggested Replacement
CMDZ11L BK	CMDZ11LF BK
CMDZ11L TR	CMDZ11LF TR
CMDZ11V BK	CMDZ11VF BK
CMDZ11V TR	CMDZ11VF TR
CMDZ12L BK	CMDZ12LF BK
CMDZ12L TR	CMDZ12LF TR
CMDZ12V BK	CMDZ12VF BK
CMDZ12V TR	CMDZ12VF TR
CMDZ13L BK	CMDZ13LF BK
CMDZ13L TR	CMDZ13LF TR
CMDZ13V BK	CMDZ13VF BK
CMDZ13V TR	CMDZ13VF TR
CMDZ15L BK	CMDZ15LF BK
CMDZ15L TR	CMDZ15LF TR
CMDZ15LD BK	N/A
CMDZ15LD TR	N/A
CMDZ15V BK	CMDZ15VF BK
CMDZ15V TR	CMDZ15VF TR
CMDZ16L BK	CMDZ16LF BK
CMDZ16L TR	CMDZ16LF TR
CMDZ16V BK	CMDZ16VF BK
CMDZ16V TR	CMDZ16VF TR
CMDZ18L BK	CMDZ18LF BK
CMDZ18L TR	CMDZ18LF TR
CMDZ18V BK	CMDZ18VF BK
CMDZ18V TR	CMDZ18VF TR
CMDZ2L0 BK	CMDZ2L0F BK
CMDZ2L0 TR	CMDZ2L0F TR
CMDZ2L2 BK	CMDZ2L2F BK
CMDZ2L2 TR	CMDZ2L2F TR
CMDZ2L4 BK	CMDZ2L4F BK
CMDZ2L4 TR	CMDZ2L4F TR
CMDZ2L5 BK	CMDZ2L5F BK
CMDZ2L5 TR	CMDZ2L5F TR
CMDZ2L7 BK	CMDZ2L7F BK
CMDZ2L7 TR	CMDZ2L7F TR
CMDZ2L8 BK	CMDZ2L8F BK
CMDZ2L8 TR	CMDZ2L8F TR
CMDZ2V4 BK	CMDZ2V4F BK
CMDZ2V4 TR	CMDZ2V4F TR
CMDZ2V6 BK	CMDZ2V6F BK
CMDZ2V6 TR	CMDZ2V6F TR
CMDZ2V7 BK	CMDZ2V7F BK

\*\*\* CONTINUED \*\*\*

DISCLAIMER: This End of Life (EOL) notification is in accordance with JEDEC standard JESD48 - Product Discontinuance. Central Semiconductor will make every effort to offer life-time buy (LTB) opportunities and/or offer replacement devices to existing customers for discontinued devices, however, one or both may not be possible for all devices. Please contact your local Central Semiconductor sales representative for LTB opportunities/additional information.



https://www.centrasemi.com

# Product End of Life Notification

<b>PDN ID:</b>	PDN01277 Rev:001
<b>Notification Date:</b>	1/14/26
<b>Last Buy Date:</b>	Stock Only
<b>Last Shipment Date</b>	Stock Only

\*\*\* CONTINUED FROM PRIOR PAGE \*\*\*

\* All Plating types (PBFREE,TIN/LEAD) for each item listed are included in this notice.

<u>Central Part Number</u>	<u>Suggested Replacement</u>
CMDZ2V7 TR	CMDZ2V7F TR
CMDZ20L BK	CMDZ20LF BK
CMDZ20L TR	CMDZ20LF TR
CMDZ20V BK	CMDZ20VF BK
CMDZ20V TR	CMDZ20VF TR
CMDZ22L BK	CMDZ22LF BK
CMDZ22L TR	CMDZ22LF TR
CMDZ22V BK	CMDZ22VF BK
CMDZ22V TR	CMDZ22VF TR
CMDZ24L BK	CMDZ24LF BK
CMDZ24L TR	CMDZ24LF TR
CMDZ24V BK	CMDZ24VF BK
CMDZ24V TR	CMDZ24VF TR
CMDZ27L BK	CMDZ27LF BK
CMDZ27L TR	CMDZ27LF TR
CMDZ27V BK	CMDZ27VF BK
CMDZ27V TR	CMDZ27VF TR
CMDZ3L0 BK	CMDZ3L0F BK
CMDZ3L0 TR	CMDZ3L0F TR
CMDZ3L3 BK	CMDZ3L3F BK
CMDZ3L3 TR	CMDZ3L3F TR
CMDZ3L6 BK	CMDZ3L6F BK
CMDZ3L6 TR	CMDZ3L6F TR
CMDZ3L9 BK	CMDZ3L9F BK
CMDZ3L9 TR	CMDZ3L9F TR
CMDZ3V0 BK	CMDZ3V0F BK
CMDZ3V0 TR	CMDZ3V0F TR
CMDZ3V3 BK	CMDZ3V3F BK
CMDZ3V3 TR	CMDZ3V3F TR
CMDZ3V6 BK	CMDZ3V6F BK
CMDZ3V6 TR	CMDZ3V6F TR
CMDZ3V9 BK	CMDZ3V9F BK
CMDZ3V9 TR	CMDZ3V9F TR
CMDZ30L BK	CMDZ30LF BK
CMDZ30L TR	CMDZ30LF TR
CMDZ30V BK	CMDZ30VF BK
CMDZ30V TR	CMDZ30VF TR
CMDZ33L BK	CMDZ33LF BK
CMDZ33L TR	CMDZ33LF TR
CMDZ33V BK	CMDZ33VF BK
CMDZ33V TR	CMDZ33VF TR
CMDZ36L BK	CMDZ36L BK
CMDZ36L TR	CMDZ36LF TR

\*\*\* CONTINUED \*\*\*

DISCLAIMER: This End of Life (EOL) notification is in accordance with JEDEC standard JESD48 - Product Discontinuance. Central Semiconductor will make every effort to offer life-time buy (LTB) opportunities and/or offer replacement devices to existing customers for discontinued devices, however, one or both may not be possible for all devices. Please contact your local Central Semiconductor sales representative for LTB opportunities/additional information.



https://www.centrasemi.com

# Product End of Life Notification

PDN ID:	PDN01277 Rev:001
Notification Date:	1/14/26
Last Buy Date:	Stock Only
Last Shipment Date:	Stock Only

\*\*\* CONTINUED FROM PRIOR PAGE \*\*\*

\* All Plating types (PBFREE,TIN/LEAD) for each item listed are included in this notice.

Central Part Number	Suggested Replacement
CMDZ36V BK	CMDZ36VF BK
CMDZ36V TR	CMDZ36VF TR
CMDZ39L BK	CMDZ39LF BK
CMDZ39L TR	CMDZ39LF TR
CMDZ39V BK	CMDZ39VF BK
CMDZ39V TR	CMDZ39VF TR
CMDZ4L3 BK	CMDZ4L3F BK
CMDZ4L3 TR	CMDZ4L3F TR
CMDZ4L7 BK	CMDZ4L7F BK
CMDZ4L7 TR	CMDZ4L7F TR
CMDZ4V3 BK	CMDZ4V3F BK
CMDZ4V3 TR	CMDZ4V3F TR
CMDZ4V7 BK	CMDZ4V7F BK
CMDZ4V7 TR	CMDZ4V7F TR
CMDZ43L BK	CMDZ43LF BK
CMDZ43L TR	CMDZ43LF TR
CMDZ43V BK	CMDZ43VF BK
CMDZ43V TR	CMDZ43VF TR
CMDZ47L BK	CMDZ47LF BK
CMDZ47L TR	CMDZ47LF TR
CMDZ47V BK	CMDZ47VF BK
CMDZ47V TR	CMDZ47VF TR
CMDZ5L1 BK	CMDZ5L1F BK
CMDZ5L1 TR	CMDZ5L1F TR
CMDZ5L6 BK	CMDZ5L6F BK
CMDZ5L6 TR	CMDZ5L6F TR
CMDZ5V1 BK	CMDZ5V1F BK
CMDZ5V1 TR	CMDZ5V1F TR
CMDZ5V6 BK	CMDZ5V6F BK
CMDZ5V6 TR	CMDZ5V6F TR
CMDZ5221B BK	CMDZ5221BF BK
CMDZ5221B TR	CMDZ5221BF TR
CMDZ5222B BK	CMDZ5222BF BK
CMDZ5222B TR	CMDZ5222BF TR
CMDZ5223B BK	CMDZ5223BF BK
CMDZ5223B TR	CMDZ5223BF TR
CMDZ5224B BK	CMDZ5224BF BK
CMDZ5224B TR	CMDZ5224BF TR
CMDZ5225B BK	CMDZ5225BF BK
CMDZ5225B TR	CMDZ5225BF TR
CMDZ5226B BK	CMDZ5226BF BK
CMDZ5226B TR	CMDZ5226BF TR
CMDZ5227B BK	CMDZ5227BF BK

\*\*\* CONTINUED \*\*\*

DISCLAIMER: This End of Life (EOL) notification is in accordance with JEDEC standard JESD48 - Product Discontinuance. Central Semiconductor will make every effort to offer life-time buy (LTB) opportunities and/or offer replacement devices to existing customers for discontinued devices, however, one or both may not be possible for all devices. Please contact your local Central Semiconductor sales representative for LTB opportunities/additional information.



https://www.centrasemi.com

# Product End of Life Notification

PDN ID:	PDN01277 Rev:001
Notification Date:	1/14/26
Last Buy Date:	Stock Only
Last Shipment Date	Stock Only

\*\*\* CONTINUED FROM PRIOR PAGE \*\*\*

\* All Plating types (PBFREE,TIN/LEAD) for each item listed are included in this notice.

Central Part Number	Suggested Replacement
CMDZ5227B TR	CMDZ5227BF TR
CMDZ5228B BK	CMDZ5228BF BK
CMDZ5228B TR	CMDZ5228BF TR
CMDZ5229B BK	CMDZ5229BF BK
CMDZ5229B TR	CMDZ5229BF TR
CMDZ5230B BK	CMDZ5230BF BK
CMDZ5230B TR	CMDZ5230BF TR
CMDZ5231B BK	CMDZ5231BF BK
CMDZ5231B TR	CMDZ5231BF TR
CMDZ5232B BK	CMDZ5232BF BK
CMDZ5232B TR	CMDZ5232BF TR
CMDZ5233B BK	CMDZ5233BF BK
CMDZ5233B TR	CMDZ5233BF TR
CMDZ5234B BK	CMDZ5234BF BK
CMDZ5234B TR	CMDZ5234BF TR
CMDZ5235B BK	CMDZ5235BF BK
CMDZ5235B TR	CMDZ5235BF TR
CMDZ5236B BK	CMDZ5236BF BK
CMDZ5236B TR	CMDZ5236BF TR
CMDZ5237B BK	CMDZ5237BF BK
CMDZ5237B TR	CMDZ5237BF TR
CMDZ5238B BK	CMDZ5238BF BK
CMDZ5238B TR	CMDZ5238BF TR
CMDZ5239B BK	CMDZ5239BF BK
CMDZ5239B TR	CMDZ5239BF TR
CMDZ5240B BK	CMDZ5240BF BK
CMDZ5240B TR	CMDZ5240BF TR
CMDZ5241B BK	CMDZ5241BF BK
CMDZ5241B TR	CMDZ5241BF TR
CMDZ5242B BK	CMDZ5242BF BK
CMDZ5242B TR	CMDZ5242BF TR
CMDZ5243B BK	CMDZ5243BF BK
CMDZ5243B TR	CMDZ5243BF TR
CMDZ5244B BK	CMDZ5244BF BK
CMDZ5244B TR	CMDZ5244BF TR
CMDZ5245B BK	CMDZ5245BF BK
CMDZ5245B TR	CMDZ5245BF TR
CMDZ5246B BK	CMDZ5246BF BK
CMDZ5246B TR	CMDZ5246BF TR
CMDZ5247B BK	CMDZ5247BF BK
CMDZ5247B TR	CMDZ5247BF TR
CMDZ5248B BK	CMDZ5248BF BK
CMDZ5248B TR	CMDZ5248BF TR

\*\*\* CONTINUED \*\*\*

DISCLAIMER: This End of Life (EOL) notification is in accordance with JEDEC standard JESD48 - Product Discontinuance. Central Semiconductor will make every effort to offer life-time buy (LTB) opportunities and/or offer replacement devices to existing customers for discontinued devices, however, one or both may not be possible for all devices. Please contact your local Central Semiconductor sales representative for LTB opportunities/additional information.



https://www.centrasemi.com

# Product End of Life Notification

PDN ID:	PDN01277 Rev:001
Notification Date:	1/14/26
Last Buy Date:	Stock Only
Last Shipment Date	Stock Only

\*\*\* CONTINUED FROM PRIOR PAGE \*\*\*

\* All Plating types (PBFREE,TIN/LEAD) for each item listed are included in this notice.

Central Part Number	Suggested Replacement
CMDZ5249B BK	CMDZ5249BF BK
CMDZ5249B TR	CMDZ5249BF TR
CMDZ5250B BK	CMDZ5250BF BK
CMDZ5250B TR	CMDZ5250BF TR
CMDZ5251B BK	CMDZ5251BF BK
CMDZ5251B TR	CMDZ5251BF TR
CMDZ5252B BK	CMDZ5252BF BK
CMDZ5252B TR	CMDZ5252BF TR
CMDZ5253B BK	CMDZ5253BF BK
CMDZ5253B TR	CMDZ5253BF TR
CMDZ5254B BK	CMDZ5254BF BK
CMDZ5254B TR	CMDZ5254BF TR
CMDZ5255B BK	CMDZ5255BF BK
CMDZ5255B TR	CMDZ5255BF TR
CMDZ5256B BK	CMDZ5256BF BK
CMDZ5256B TR	CMDZ5256BF TR
CMDZ5257B BK	CMDZ5257BF BK
CMDZ5257B TR	CMDZ5257BF TR
CMDZ5258B BK	CMDZ5258BF BK
CMDZ5258B TR	CMDZ5258BF TR
CMDZ5259B BK	CMDZ5259BF BK
CMDZ5259B TR	CMDZ5259BF TR
CMDZ5259B TR13	N/A
CMDZ5260B BK	CMDZ5260BF BK
CMDZ5260B TR	CMDZ5260BF TR
CMDZ5261B BK	CMDZ5261BF BK
CMDZ5261B TR	CMDZ5261BF TR
CMDZ6L2 BK	CMDZ6L2F BK
CMDZ6L2 TR	CMDZ6L2F TR
CMDZ6L8 BK	CMDZ6L8F BK
CMDZ6L8 TR	CMDZ6L8F TR
CMDZ6V2 BK	CMDZ6V2F BK
CMDZ6V2 TR	CMDZ6V2F TR
CMDZ6V8 BK	CMDZ6V8F BK
CMDZ6V8 TR	CMDZ6V8F TR
CMDZ7L5 BK	CMDZ7L5F BK
CMDZ7L5 TR	CMDZ7L5F TR
CMDZ7V5 BK	CMDZ7V5F BK
CMDZ7V5 TR	CMDZ7V5F TR
CMDZ8L2 BK	CMDZ8L2F BK
CMDZ8L2 TR	CMDZ8L2F TR
CMDZ8V2 BK	CMDZ8V2F BK
CMDZ8V2 TR	CMDZ8V2F TR

\*\*\* CONTINUED \*\*\*

DISCLAIMER: This End of Life (EOL) notification is in accordance with JEDEC standard JESD48 - Product Discontinuance. Central Semiconductor will make every effort to offer life-time buy (LTB) opportunities and/or offer replacement devices to existing customers for discontinued devices, however, one or both may not be possible for all devices. Please contact your local Central Semiconductor sales representative for LTB opportunities/additional information.



<https://www.centrasemi.com>

# Product End of Life Notification

<b>PDN ID:</b>	PDN01277 Rev:001
<b>Notification Date:</b>	1/14/26
<b>Last Buy Date:</b>	Stock Only
<b>Last Shipment Date</b>	Stock Only

\*\*\* CONTINUED FROM PRIOR PAGE \*\*\*

**\* All Plating types (PBFREE,TIN/LEAD) for each item listed are included in this notice.**

<b>Central Part Number</b>	<b>Suggested Replacement</b>
CMDZ9L1 BK	CMDZ9L1F BK
CMDZ9L1 TR	CMDZ9L1F TR
CMDZ9V1 BK	CMDZ9V1F BK
CMDZ9V1 TR	CMDZ9V1F TR
HCMDD2004 BK	N/A

Central would be happy to assist you by providing additional information or technical data to help locate an alternate source if we have no replacement available. If you would like assistance, please visit <https://my.centrasemi.com/submit-inquiry?type=ER> to submit an online inquiry.

DISCLAIMER: This End of Life (EOL) notification is in accordance with JEDEC standard JESD48 - Product Discontinuance. Central Semiconductor will make every effort to offer life-time buy (LTB) opportunities and/or offer replacement devices to existing customers for discontinued devices, however, one or both may not be possible for all devices. Please contact your local Central Semiconductor sales representative for LTB opportunities/additional information.